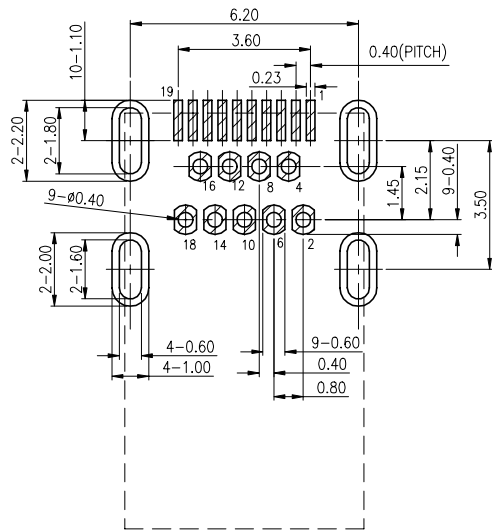
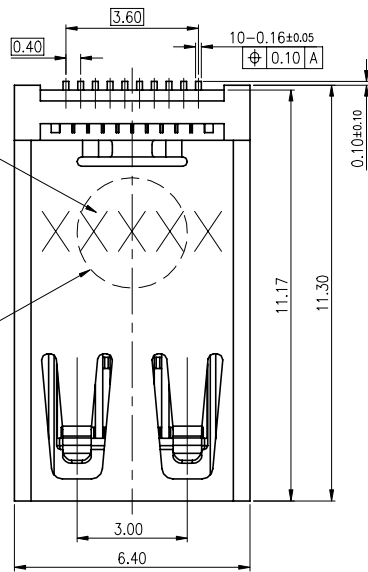


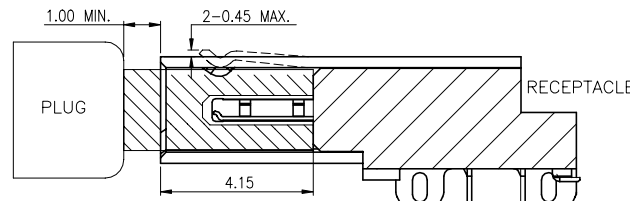
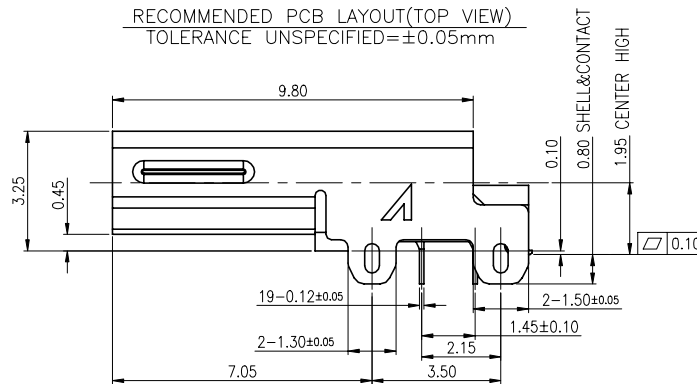
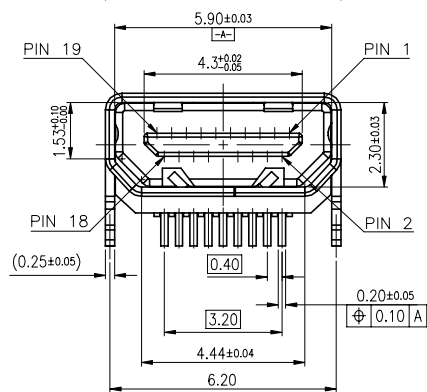


DATE CODE

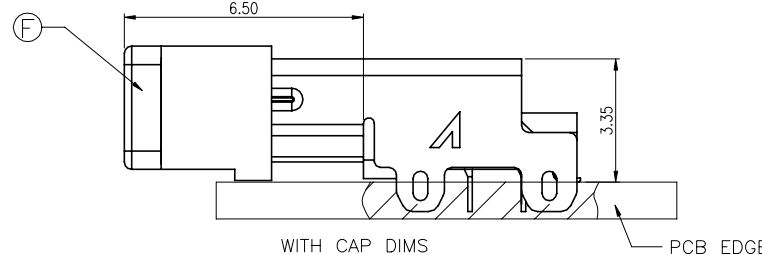
∅3.0 PICK UP AREA



RECOMMENDED PCB LAYOUT(TOP VIEW)
TOLERANCE UNSPECIFIED=±0.05mm



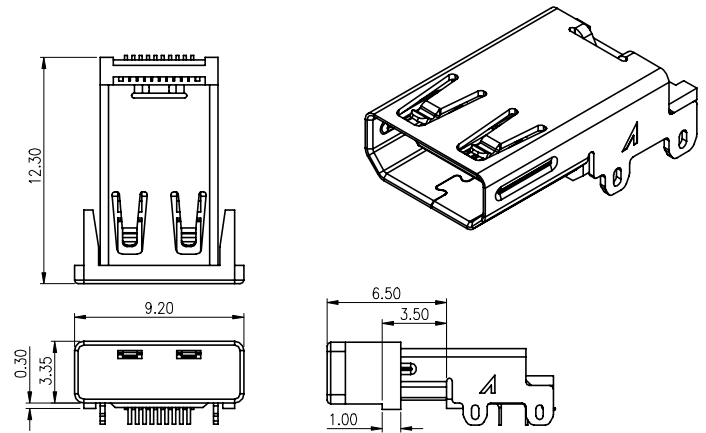
REFERENCE MATING DEPTH



NOTES:

1. MATERIAL: SEE TABLE
2. PLATING:
 - 2.1 TERMINAL: GOLD FLASH PLATING ON CONTACT & SOLDER AREA 50u" MIN. NICKEL UNDERPLATING OVER ALL
 - 2.2 SHELL: 50u" MIN. NICKEL UNDERPLATING OVER ALL
3. SPEC. PLS. REFER TO SPEC-59558-XXXXX-XXX
4. PACKAGE PLS. REFER TO 59557-019XX-XXX-PCK
5. PART NUMBER 59557-019 X X -XXX

CKT _____
PLATING: _____
PACKING: _____
001: NONE
2: GOLD FLASH
0:TAPE & REEL



(SCALE 1:2)

NO	DESCRIPTION	Q'TY	MATERIAL	PLATING & COLOR
F	CAP	1	LCP E130i, UL94V-0	BLACK
E	SHELL	1	SUS304-1/2H, 0.25t	Ni 50u" MIN.
D	BOTTOM TERMINAL	9	C5191-R/H, 0.12t	GOLD FLASH
C	BOTTOM HOUSING	1	LCP E130i, UL94V-0	BLACK
B	UPPER TERMINAL	10	C5191-R/H, 0.12t	GOLD FLASH
A	UPPER HOUSING	1	LCP E130i, UL94V-0	BLACK

QUALITY SYMBOLS MAJOR Ⓢ CRITICAL Ⓢ GENERAL TOLERANCES (UNLESS SPECIFIED) X: ±0.5 .X: ±0.25 .XX: ±0.15 .XXX: ±0.1 ANGLES ±2°	DRAWN BY LIAO WAN TING '22/09/22 CHECKED BY TENG CHANG HO'22/09/22 APPROVED BY KUO JUNG HSUN'22/09/22	DATE '22/09/22 DATE '22/09/22 DATE '22/09/22	ACES ELECTRONICS TITLE MICRO HDMI FEMALE (CH:1.95) DIP+SMT TYPE SIZE A4 R/FQ NO. N/A SCALE X : X SHEET NO. 1 OF 1 REV C DWG NO. 59557-019XX-XXX
	UNITS mm	SCALE X : X	
	REVISIONS	REVISIONS	
	DATE	DATE	